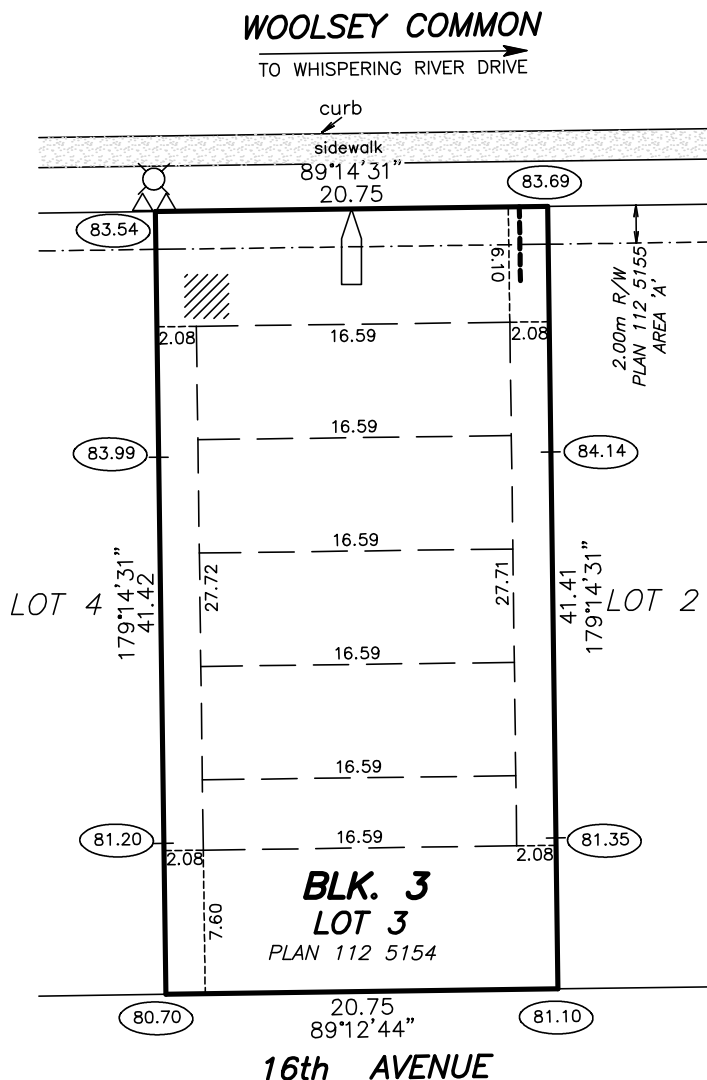


BUILDING POCKET

HAGEN SURVEYS (1982) LTD.

ALBERTA LAND SURVEYORS
8929 - 20 STREET
EDMONTON ALBERTA T6P 1K8
TELEPHONE: 464-5506

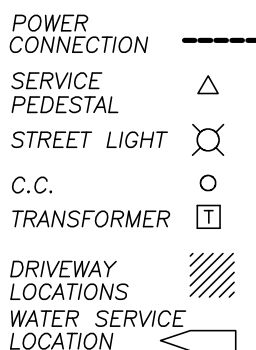


LOT 3	BLK. 3	PLAN 112 5154	SUBDIVISION RIVER POINTE STAGE 17	BUILDER OR OWNER -
SCALE: 1:400		JOB NO.: 11C0481	DATE: DECEMBER 16, 2011	WOOLSEY COMMON & WHISPERING RIVER DRIVE ADDRESS EDMONTON

NOTES:

- BUILDING POCKET WIDTHS ARE AT 6 METER INTERVALS.
- ADDITIONAL SIDEYARDS MAY BE REQUIRED FOR HOUSES TALLER THAN TWO AND A HALF STOREYS AND FOR HOUSES FACING THE LONG SIDE OF A CORNER LOT.
- EVERY EFFORT HAS BEEN MADE TO ENSURE THAT THE INFORMATION SHOWN HERE IS CORRECT.
- ALL INFORMATION MUST BE VERIFIED PRIOR TO PREPARATION OF ANY SUBSEQUENT PLAN OR DOCUMENT
- STREET FURNITURE AND SERVICES ARE DESIGNED BY OTHERS AND REVISIONS MAY BE MADE AT ANY TIME.

ALL DISTANCES ARE IN METRES AND DECIMALS THEREOF.
ALL GRADES ARE IN METRES AND DECIMALS THEREOF.
THIS PLAN IS SUBJECT TO APPROVAL OF LOCAL APPROVING AUTHORITY.



DATE	REVISIONS
DRAWN BY:	PING
CHECKED BY:	RAM